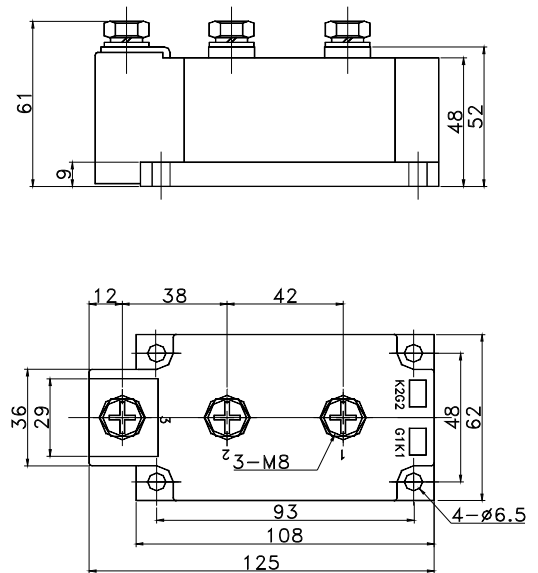
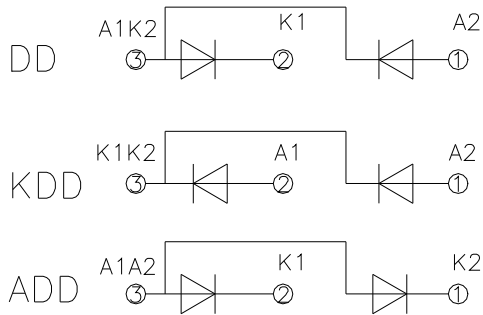


DD350 ADD350 KDD350

SYMBOL	CHARACTERISTIC	TEST CONDITIONS	T _j (°C)	VALUE			UNIT
				Min	Type	Max	
I _{F(AV)}	Mean forward current	180° half sine wave 50Hz Single side cooled, T _C =100°C	150			350	A
I _{F(RMS)}	RMS forward current	Single side cooled, T _C =100°C	150			550	A
V _{RRM}	Repetitive peak reverse voltage	V _{RRM} tp=10ms V _{RSM} = V _{DRM} &V _{RRM} +200V	150	600		1800	V
I _{RRM}	Repetitive peak current	at V _{RRM}	150			30	mA
I _{FSM}	Surge forward current	10ms half sine wave	150			15.0	KA
I ² t	I ² T for fusing coordination	V _R =0.6V _{RRM}				1150	A ² s*10 ³
V _{FO}	Threshold voltage		150			0.75	V
r _F	Forward slop resistance					0.61	mΩ
V _{FM}	Peak forward voltage	I _{FM} =1050A	25			1.50	V
R _{th(j-c)}	Thermal resistance Junction to heatsink	At 180° sine Single side cooled				0.110	°C /W
V _{iso}	Isolation voltage	50Hz,R.M.S,t=1min,I _{iso} :1mA(max)		2500			V
F _m	Terminal connection torque(M5)					4.5	N·m
	Mounting torque(M6)					3.0	N·m
T _{stg}	Stored temperature			-40		125	°C
W _t	Weight					1340	g
Outline	402F3						

OUTLINE DRAWING & CIRCUIT DIAGRAM



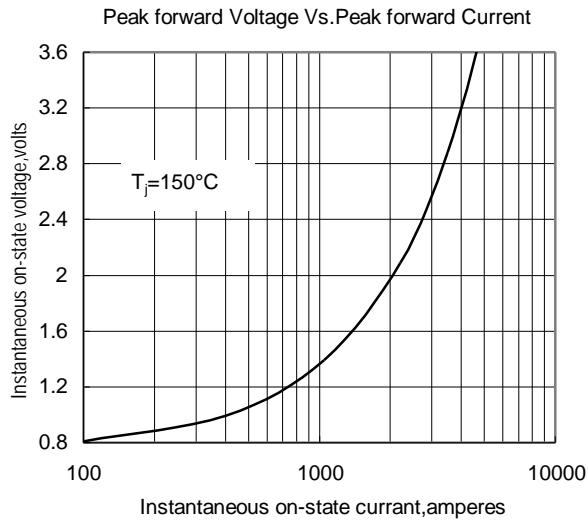


Fig.1

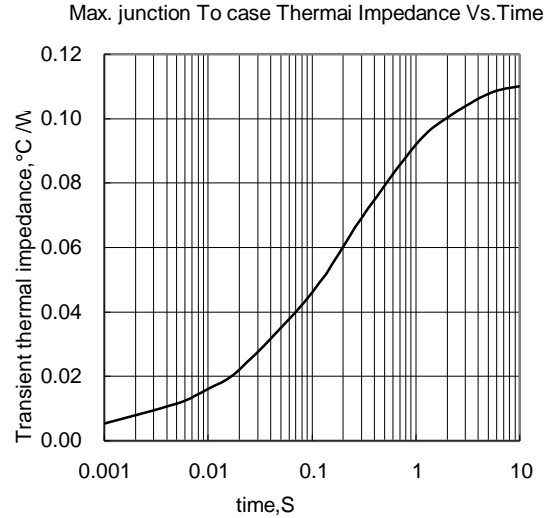


Fig.2

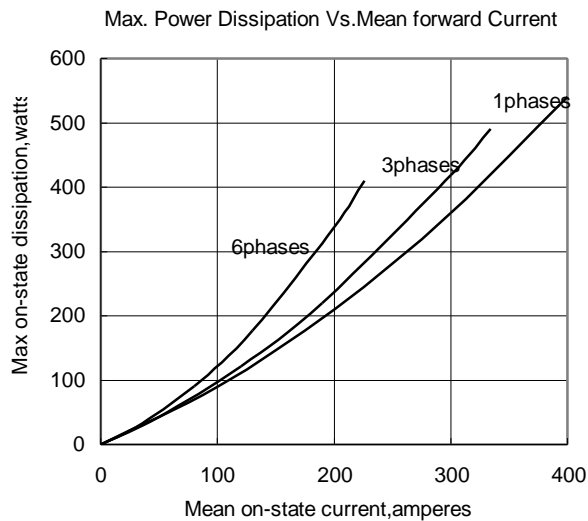


Fig.3

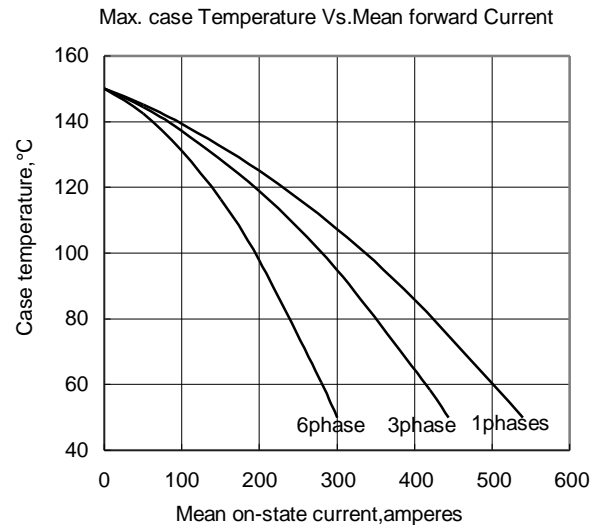


Fig.4

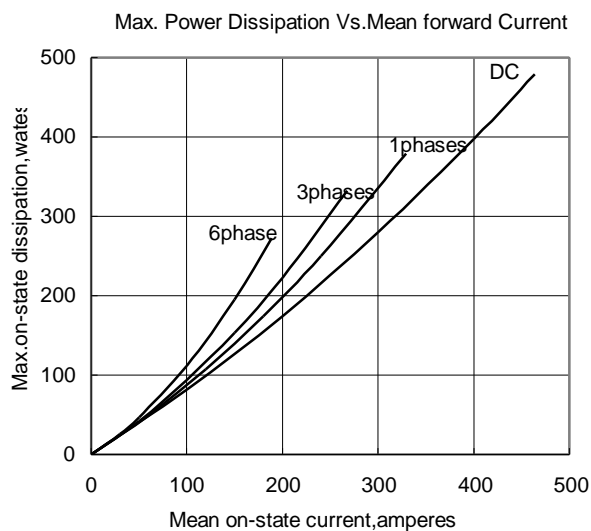


Fig.5

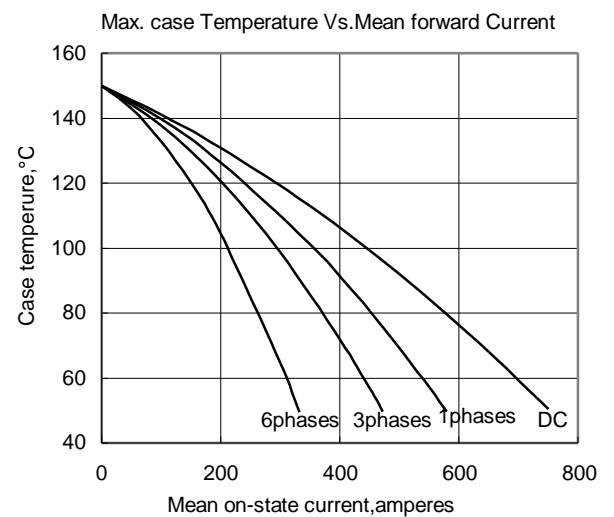


Fig.6